

Job Name/Location:

Tag #:

Date: _____ For: File Resubmit
 PO No.: _____ Approval Other _____
 Architect: _____ GC: _____
 Engr: _____ Mech: _____
 Rep: _____
 (Company) (Project Manager)



ARWN288DAS4 (a) ARWN121DAS4
 Multi V™ Water IV Heat Pump (b) ARWN168DAS4
 24.0 Ton Water Source Unit

Performance:

Cooling Mode:

Nominal Capacity (Btu/h)	287,700
--------------------------	---------

Heating Mode:

Nominal Capacity (Btu/h)	324,000
--------------------------	---------

Rated capacity is certified under AHRI Standard 1230. Ratings are subject to change without notice. Current certified ratings are available at www.ahridirectory.org.

Electrical:

(a) ARWN121DAS4 (b) ARWN168DAS4

Power Supply (V/Hz/Ø) ¹	460/60/3	460/60/3
MOP (A)	25	45
MCA (A)	19.3	27.0
Rated Amps (A)	15.4	21.6
Recommended	25	35
Fuse Amps (A):		

Piping:

Refrigerant:

(a) ARWN121DAS4 (b) ARWN168DAS4

Refrigerant Charge (lbs)	12.8	6.6
Liquid Line (in, OD)	1/2	1/2
Vapor Line (in, OD)	7/8	1-1/8

Water:

(a) ARWN121DAS4 (b) ARWN168DAS4

Water Inlet/Outlet (in)	1-1/2	1-1/2
-------------------------	-------	-------

Condensate:

(a) ARWN121DAS4 (b) ARWN168DAS4

Condensate Line (in)	3/4	3/4
----------------------	-----	-----

Standard Features:

- Fault Detection and Diagnosis
- HiPOR (High Pressure Oil Return)
- Smart Oil Control

Required Accessories

- ARCNN21 (frame connector Y-branch)

Optional Accessories:

- Variable Water Flow Valve Control Kit - PWFKCN000

Water Operating Range²:

Cooling Mode Entering Water Range (°F)	23-113
Heating Mode Entering Water Range (°F) ³	14-113

Unit Data:

Refrigerant Type	R410A
Refrigerant Control	EEV
Max. Number of Indoor Units ⁴	45
Sound Pressure ⁵ (CLG/HTG) dB(A)	59/58
Net Unit Weight (a) + (b) (lbs)	280 + 309
Shipping Weight (a) + (b) (lbs)	302 + 331
Communication Cable ⁶ (No. x AWG)	2 x 18
Heat Exchanger Type	Stainless Steel Plate
Heat Rejected to Equipment Room (Btu/h)	4,952

Compressor:

Type	Hermetic Scroll
Drive	Inverter
Quantity	2
Oil/Type	PVE/FVC68D

Condenser Water:

Flow Rate (a) + (b) (GPM)	30.4 + 45.7
Pressure Drop (a) + (b) (ft wg)	7.4 + 8.0

1. Power wiring size must comply with the applicable local and national code.
2. When entering water temperature is lower than 59°F, variable water flow control kit PWFKCN000 is required.
3. When entering water temperature is lower than 23°F, water solution must be minimum 45% antifreeze.
4. The combination ratio must be between 50-130%.
5. Sound pressure levels are tested in an anechoic chamber under ISO Standard 3745.
6. Communication cable between WSU, IDU(s) / HRU(s), and Central Controller must be a minimum of 2-conductor, 18 AWG, twisted, stranded, and shielded. Ensure the communication cable shield is properly grounded to the WSU chassis only. Do not ground the communication cable at any other point. Wiring must comply with all applicable local and national codes.
7. For 460V systems, acceptable voltage range is 414-528V.



Job Name/Location:

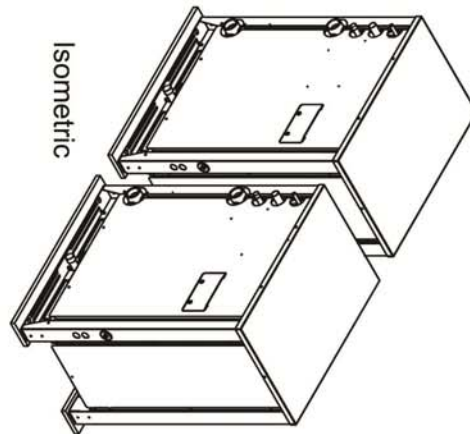
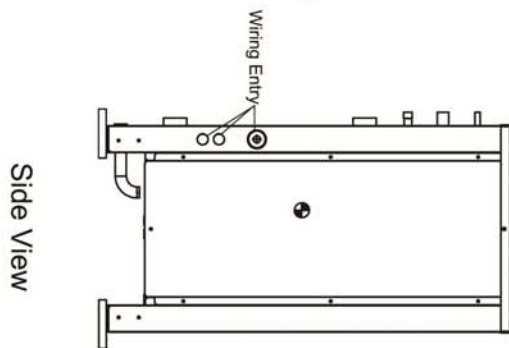
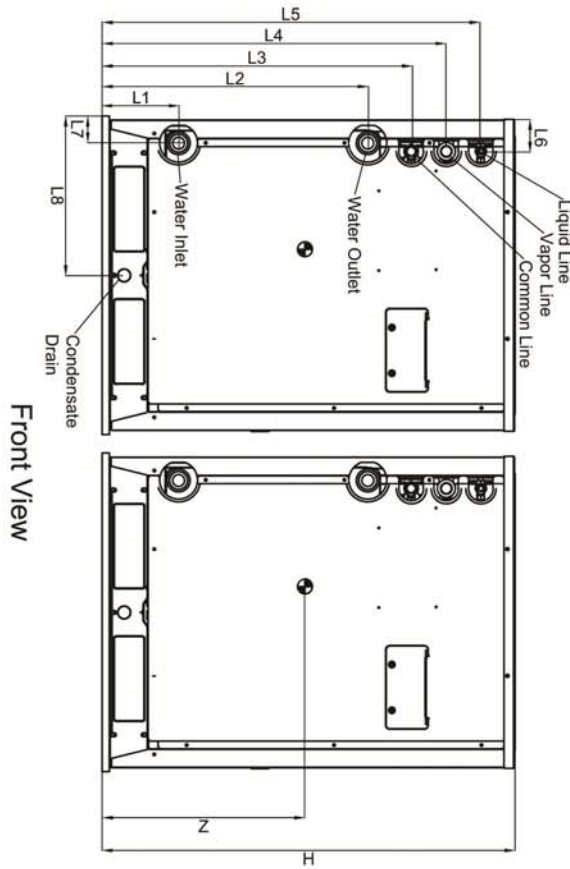
ARWN288DAS4 (a) ARWN121DAS4
 Multi V™ Water IV Heat Pump (b) ARWN168DAS4
 24.0 Ton Water Source Unit



Tag #: _____

Date: _____

PO No.: _____



X	13-1/2"
Y	9-13/16"
Z	16-1/2"
W	29-3/4"
D	19-3/4"
H	39-1/4"
L1	6-5/8"
L2	25"
L3	29-1/4"
L4	32-1/2"
L5	35-15/16"
L6	3-1/8"
L7	2-1/4"
L8	14-3/4"
L9	4"
M1	18-1/4"
M2	3/4"
M3	2-7/16"
M4	24-13/16"